

Model Y5735/Y5737/Y5320

Rack Mount Kit

Instruction Sheet

Introduction

This sheet provides instruction for mounting the 5700A Calibrator, the 5725A Amplifier, or the 5320A Calibrator in a standard 19.12-inch panel opening E.I.A. universal spacing equipment rack. Model 5737 is for the 5700A, Model Y5735 is for the 5725A, and Model Y5320 is for the 5320A. Kit contents and instructions for installation are the same for all three kits, except for the size of the rack ears and usage of filler bar to slide rail mounting holes.

Preparation

Before installing the rack mount kit, remove the top and bottom screws from the sides of the front instrument handles. Leave the center screws installed. Remove the plastic filler strips from the sides of the instrument by prying one end of each strip free using a screwdriver.

Installation

To install a kit, proceed as follows:

1. Attach the rack ears to the instrument using two #8-32 x 1/2" pan-head screws for each ear as Figure 1 shows.
2. Install the filler bars on the sides of the instrument using two #8-32 x 1/4" truss-head machine screws per bar as Figure 1 shows, making sure the first tapped hole closest to the end of the bar is toward the front of the instrument.
3. Attach the slide rails to the filler bars using four #8-32 x 1/4" truss-head machine screws per rail as Figure 1 shows. Mount the 5700A and 5320A slide rail to the center row of holes. Mount the 5725A slide rail to the lower row of holes. (See Figure 1.)
4. Install the front slide brackets (shorter pair) to the equipment rack mounting rails as Figure 2 shows. (Refer to Figure 3 and 4 for typical mounting holes spacing.) If your rack has threaded mounting rails, use two #10-32 x 1/2" truss-head screws as shown in Figure 2, Detail A. If your rack has unthreaded mounting holes, use two #10-24 x 1/2" truss-head screws and two #10-24 U-nuts as shown in Figure 2, Detail B.
5. Install the rear slide bracket (longer pair) to the equipment rack mounting brackets the same way as the front.
6. Attach the slides to the front brackets using two #8-32 x 1/2" pan-head screws, two #8 flat washers, two #8 lock washers, and two #8 hex nuts as Figure 2 shows. Align the slides to the rear brackets the same way as the front, except fully extend the slides to access the screw heads.
7. Plug the instrument into the slides, unlock the slides and push the instrument into the rack.
8. Secure the instrument to the rack by fastening the rack ears to the mounting rails with two #10-32 x 3/4" decorative-head screws per ear. If your rack has unthreaded mounting rails, install two #10-32 U-nuts in appropriate places in the rail holes.

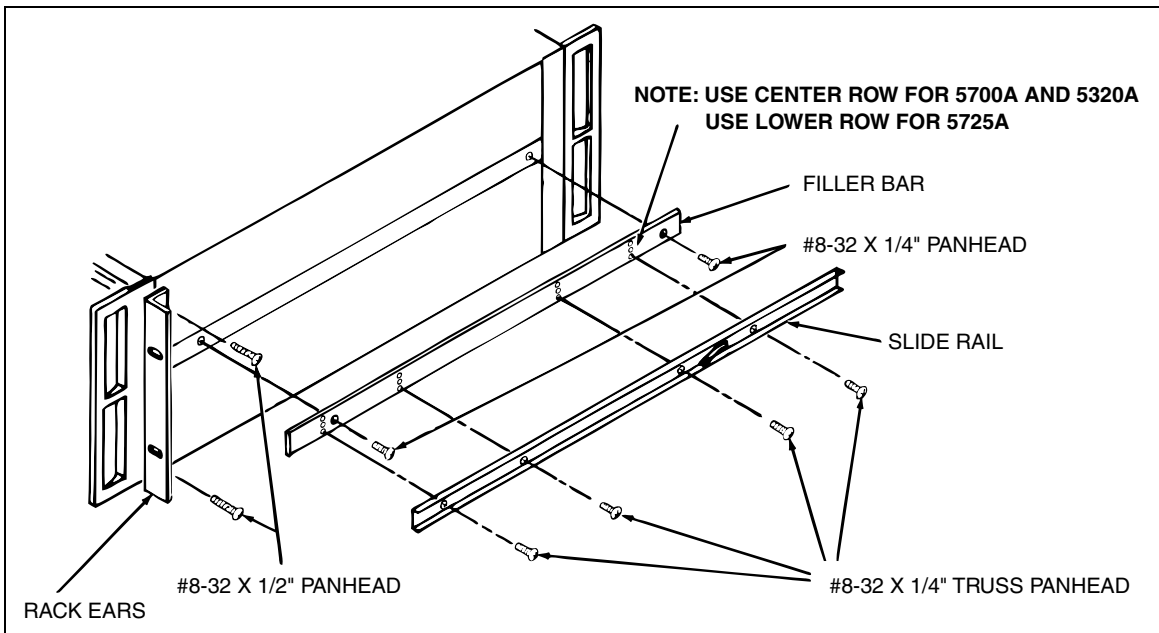


Figure 1. Attaching Hardware to the Instrument

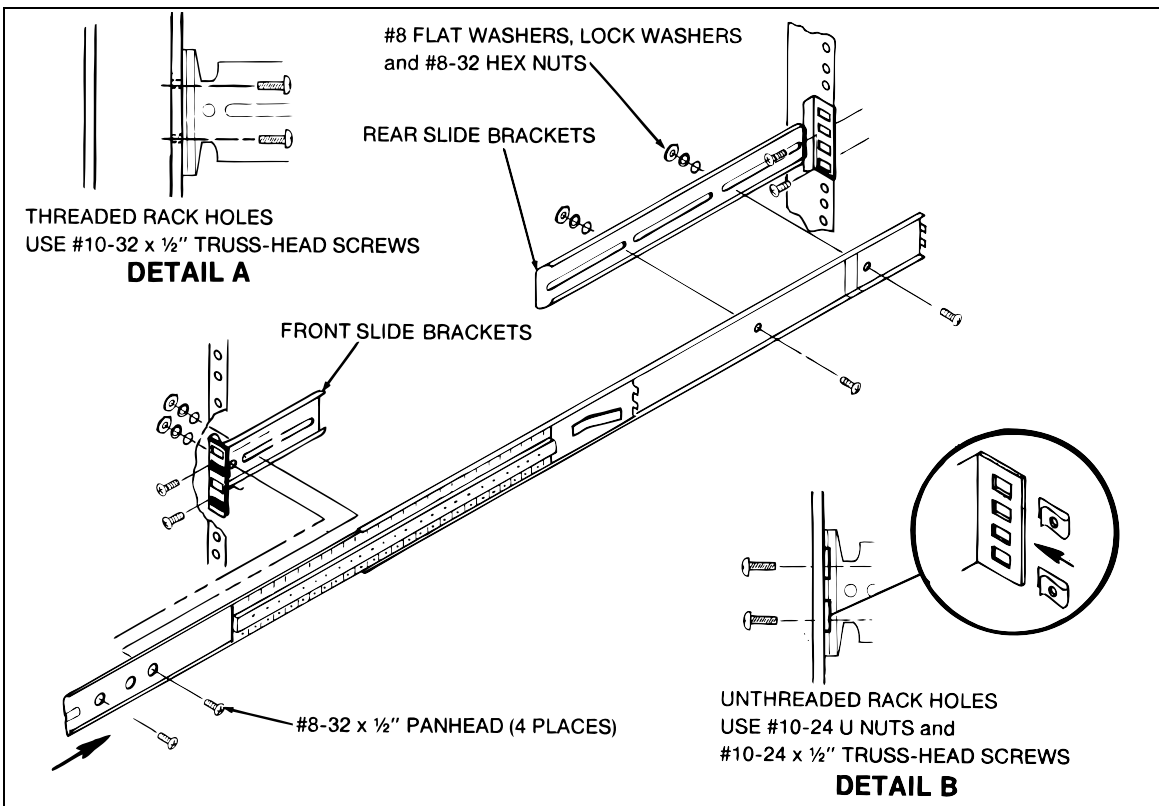


Figure 2. Installing Rack Slides

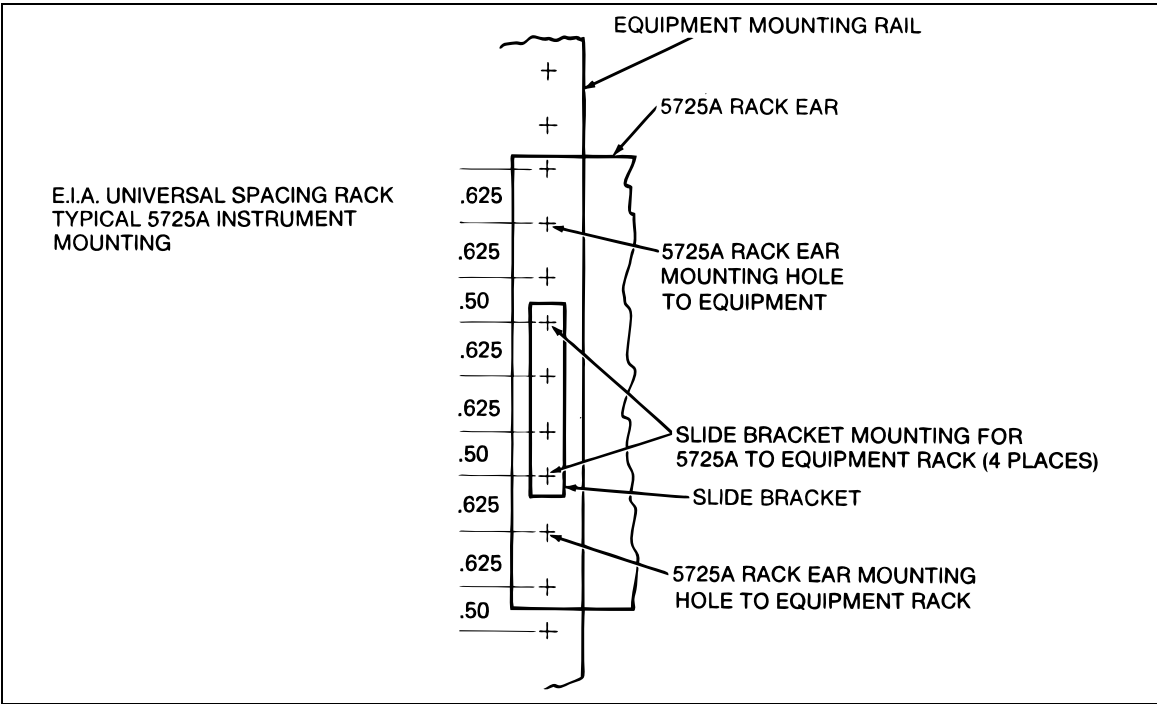


Figure 3. Typical 5725A Mounting Locations

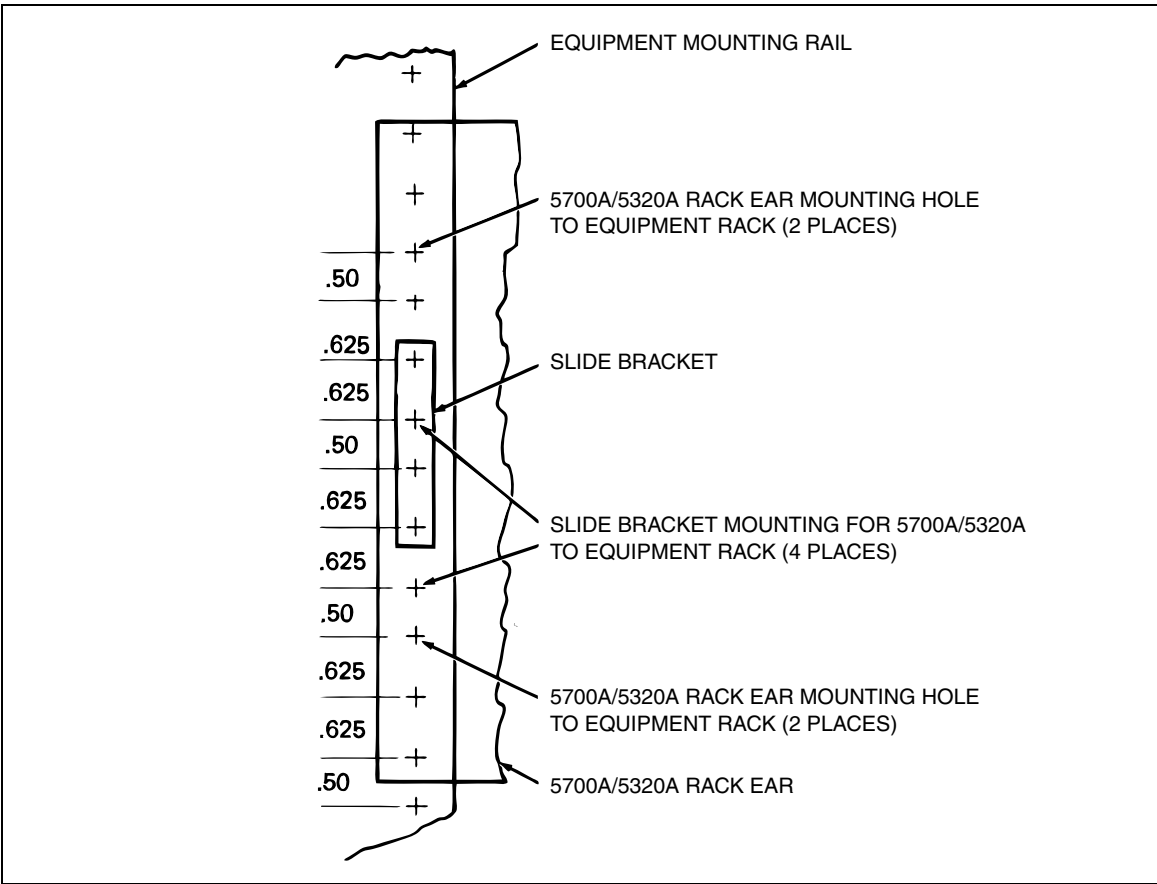


Figure 4. Typical 5700/5320A Mounting Locations

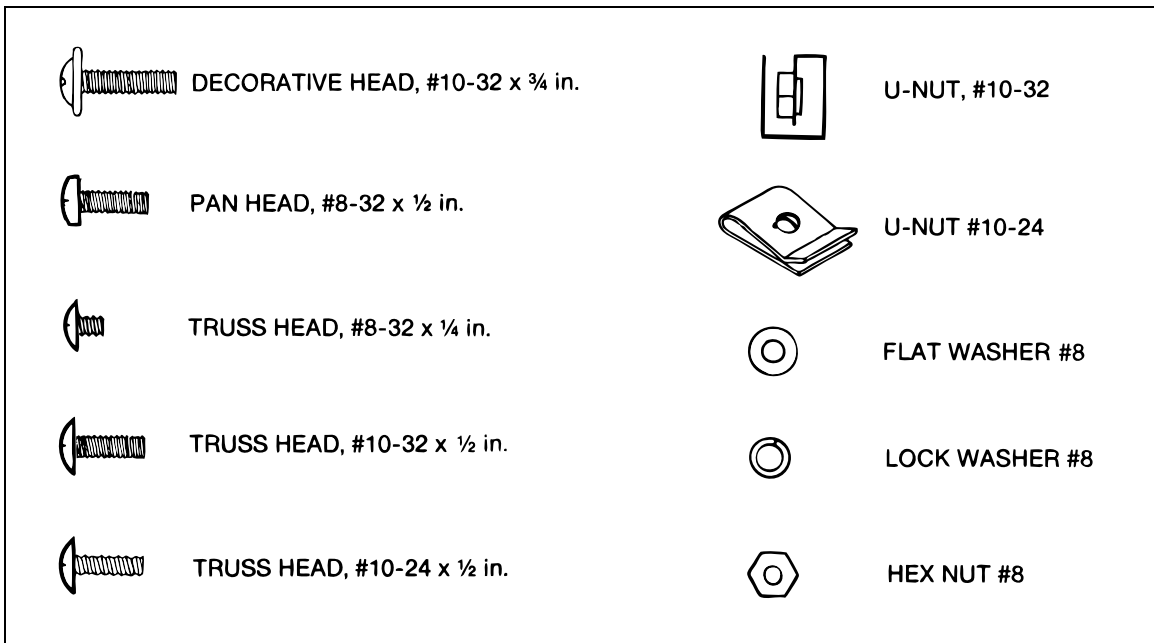


Figure 5. Screw Identification